



BRX1

2-wire SHDSL EFM regenerator

- ✘ Ethernet First Mile (EFM) regenerator
- ✘ Data rate from 192 kbps up to 5696 kbps
- ✘ Line bundling capable
- ✘ Can be used in SyncE and IEEE1588
- ✘ Vendor independent - operates with any transmission device
- ✘ Full support of standard EOC commands



The BRX1 is a fully-managed and easy to install and operate SHDSL EFM regenerator. The BRX1 is used for extending the reach of SHDSL lines for Ethernet First Mile (EFM) transmission. Due to its multivendor-capability the regenerator can operate with any transmission device at LT and NT side.

Introduction

The BRX1 will be installed between a LT, mostly a Multi Service Access Node (MSAN) at an exchange location or a curb, and the SHDSL CPE (Customer Premises Equipment) at NT side (Network Termination). For the extension of lines several regenerators can be installed in each line. The BRX1 is a hardened device and can be used in non climate controlled locations. In case of EFM line bundling several BRX1 can be used (# BRX = # line bundling).

The BRX1 can be fully integrated into the management of MSAN devices of different vendors via standard EOC channel information.

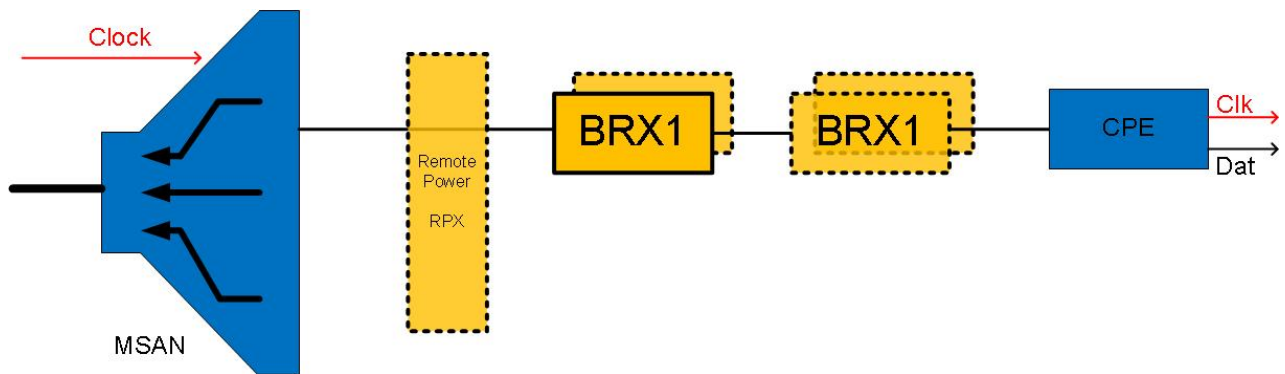
A remote software download to the BRX can easily be done via EOC channel either via MSAN or the arcutronix download device BRX-DL.

The BRX1 can be fed locally or remotely from the MSAN location.

The RPX16 powering device by arcutronix can be connected between MSAN and BRX to feed up to two BRX remotely per line. The first BRX in the line will fully automatically forward the power feeding to the second BRX if enough power is available. Other devices than regenerators will not be fed (automatic regenerator detection). No setting via jumper is needed.

Features

- Multi repeater use
- Local (-48/-60V) and remote power feeding (115V) support
- Automatic power forwarding in case of remote power feeding
- Extended climatic conditions
- Fits into standard regenerator slots
- Software upgrade via standard EOC channel



Application Example

BRX1 used as line extension from MSAN to EFM CPE. Remote power of BRX, line bundling and doubled extension with two regenerators is possible.

Technical Specifications

SHDSL line

- 2-wire SHDSL interface
- Line code: 16 TCPAM; 32 TCPAM; auto-detect
- Number of interfaces: 2 (MSAN site and CPE site)
- Data rate: from 192 kbps up to 5696 kbps
- Line impedance: 135 Ohms
- ITU-T G.991.2 / ETSI TS 101524

Display functions

- 1 green LED for system, operating and error status
- 1 red LED for activation, status and error

Product safety

- Electrical security: EN 60950
- Sound emission: none
- CE conformity

Environmental

- Operation:
ETS 300019-1-4, class 4.1
Temperature: -40 ... +70°C
Humidity: 10 ... 100%, non-condensing
- Transportation:
ETS 300019-1-2, class 2.3
Temperature: -40 ... +70°C
Humidity: 10 ... 95%, non-condensing

Power

- Local power: -40V ... -72V
- Remote Power: 55V ... 115V
- <1.8W@Remote Power
- <2.2W@Local Power

Physical

- H x W x D: 34 mm x 110 mm x 215 mm
- Weight 300 g

